



# ATLAS™

## LED Flood Light



Beyond LED's ATLAS Flood light is the newest design for 2020 and comes with adjustable CCT which makes this product very unique. This flood light is ideal to replace Halogen lamps and comes with U-Bracket and optional Knuckle and Yoke mounts. This flood light is an extremely cost-effective solution, great for illuminating yards, driveways, signage and security applications.

### Product Features

- Up to 125 Lumens per watt
- CCT Changeable 3000K, 4000K and 5000K by pressing a button
- Dimmable 1-10V
- Die-Cast aluminum housing
- Standard attached U-bracket with optional Yoke and Knuckle mount
- Heat resistant polycarbonate optical lens
- Universal 100-277Vac

# ATLAS™

## LED Flood Light



SKU #	Model #	Watt	Lumens	CCT Adjustable	Dimming	Housing	Input Voltage	Type	Certifications
151385	BLT-FL06-50WCH8A1-BRFMCA30/40/50	50W	7000Lm	3K/4K/5K	1-10V	Bronze	100-277V	U-Bracket	UL & DLC
151233	BLT-FL06-90WCH8A1-BRFMCA30/40/50	90W	12600Lm	3K/4K/5K	1-10V	Bronze	100-277V	U-Bracket	UL & DLC

### SKU #. 151385 Specifications

Parameter	Description	Value
General Performance	Wattage	50W
	Lumen	Up to 7000LM
	Lumen Efficacy	Up to 140LM/W
	Color Temperature	3000K / 4000K / 5000K
	CRI (Ra)	>80
	Viewing Angle	7H6V
	Input Voltage	100-277Vac
Electrical	Frequency	50/60Hz
	Dimming	1-10V
	Optional Accessory	Surge protector
	PF (Tolerance: -3%)	≥0.9
	THD (Tolerance : +5%)	≤20%
	Driver Model	Beyond Driver
Physical	Operating Temperature	-20°C to 50°C;
	Storage Temperature	-30°C to 80°C
	Operating Humidity	10% - 90% RH
	Storage Humidity	10% - 95% RH
	LED Brand	Seoul
	LED Type	SMD3030
	LED QTY	112 PCS (56*2)
Qualification	Housing	Aluminum Alloy
	Housing Color	Bronze
	IP Rating	IP65
	Warranty	5 years warranty



# ATLAS™

## LED Flood Light

SKU #. 151233

### Specifications

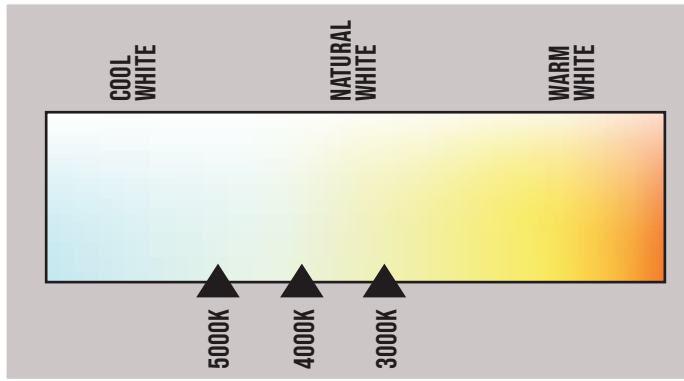
Parameter	Description	Value
General Performance	Wattage	90W
	Lumen	Up to 12600LM
	Lumen Efficacy	Up to 140LM/W
	Color Temperature	3000K / 4000K / 5000K
	CRI (Ra)	>80
	Viewing Angle	7H6V
	Input Voltage	100-277Vac
Electrical	Frequency	50/60Hz
	Dimming	1-10V
	Optional Accessory	Surge protector
	PF (Tolerance: -3%)	≥0.9
	THD (Tolerance : +5%)	≤20%
	Driver Model	Beyond Driver
Physical	Operating Temperature	-20°C to 50°C;
	Storage Temperature	-30°C to 80°C
	Operating Humidity	10% - 90% RH
	Storage Humidity	10% - 95% RH
	LED Brand	Seoul
	LED Type	SMD3030
	LED QTY	224 PCS (56*2)
Qualification	Housing	Aluminum Alloy
	Housing Color	Bronze
	IP Rating	IP65
	Warranty	5 years warranty

# ATLAS™

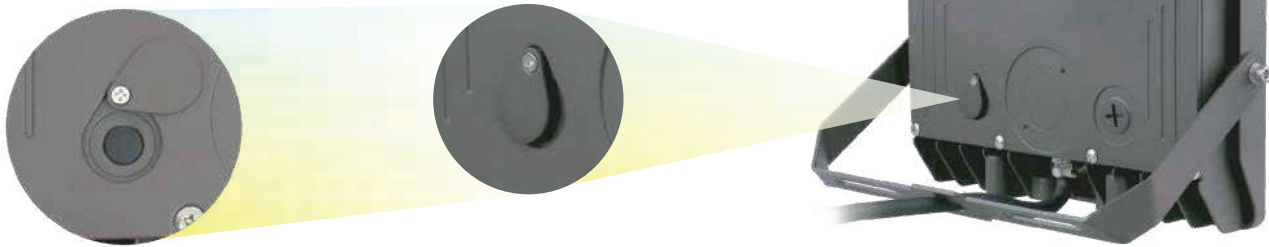
## LED Flood Light



### Correlated Color Temperature (CCT)



### Adjustable 3000K/4000K/5000K CCT Button



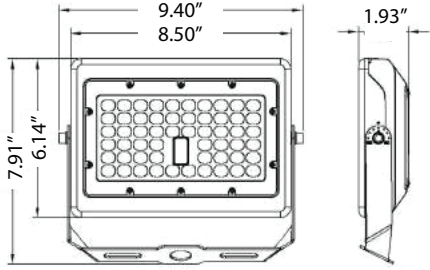
LED FLOOD LIGHT



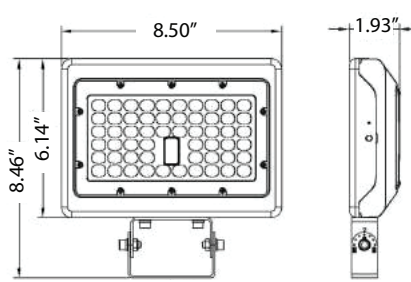
# ATLAS™

## LED Flood Light

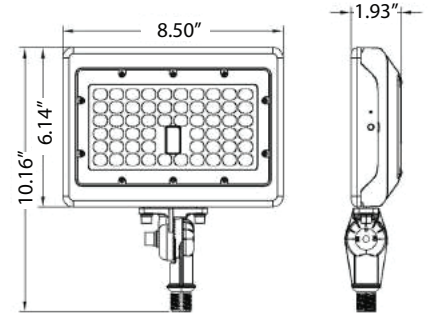
### Dimensions (SKU #. 151385)



U-Bracket Mount

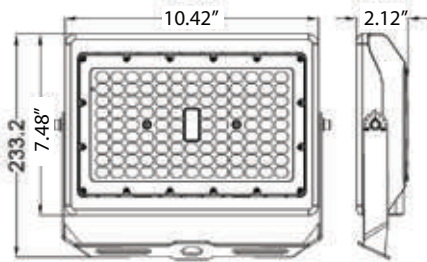


Yoke Mount

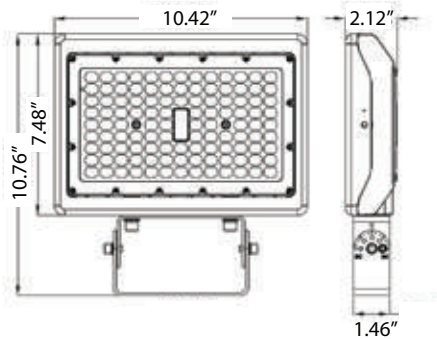


Knuckle Mount

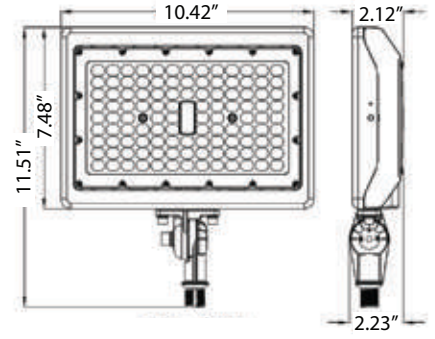
### Dimensions (SKU #. 151233)



U-Bracket Mount



Yoke Mount



Knuckle Mount

# ATLAS™

## LED Flood Light



### Photometric Data (Distribution Diagram - 50W)

#### Luminaire Property

Luminaire Manufacturer:  
Voltage: 121.4 V  
Power: 45.95

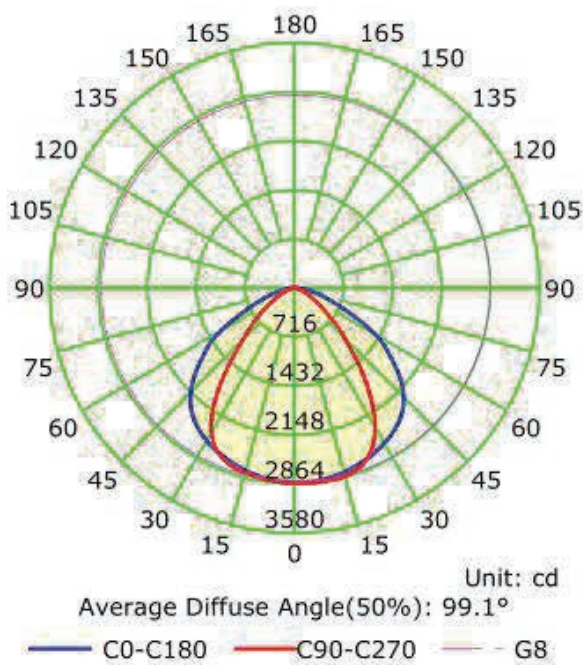
Current: 0.383 A  
Power Factor: 0.987

#### Photometric Results

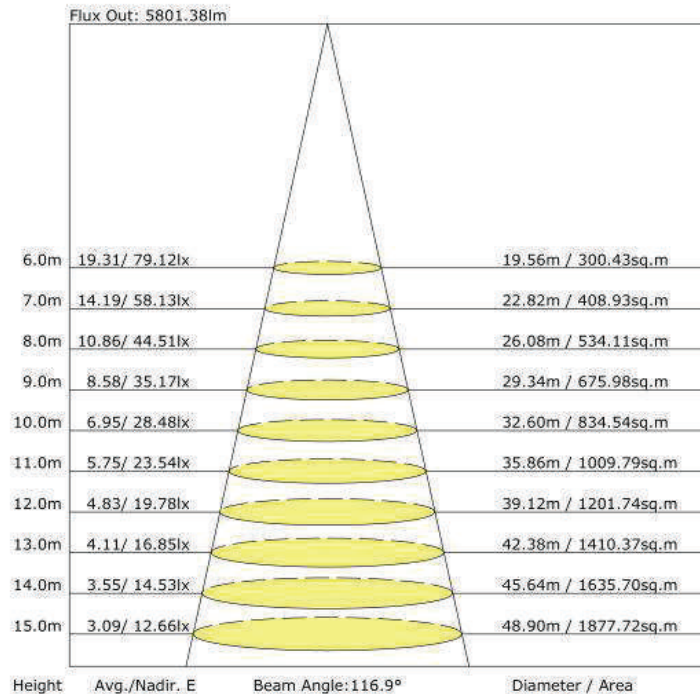
IES Classification: Type I  
Total Rated Lamp Lumens: 6650,7 lm  
Efficiency: 100%  
Upward Ratio: 1%  
Central Intensity: 2848.47 cd  
Fos of Max. Intensity: H90 V8

Longitudinal Classification: Very Short  
Measurement Flux: 6650.7 lm  
Downward Ratio: 99%  
Luminaire Efficacy Rating (LER): 14479  
Max. Intensity: 2854.77 cd

Luminous Intensity Distribution Curve



The Average Illuminance Effective Figure







# ATLAS™

## LED Flood Light

### Photometric Data (Distribution Diagram - 90W)

#### Luminaire Property

Luminaire Manufacturer:  
Voltage; 120.0 V  
Power: 87.56 W

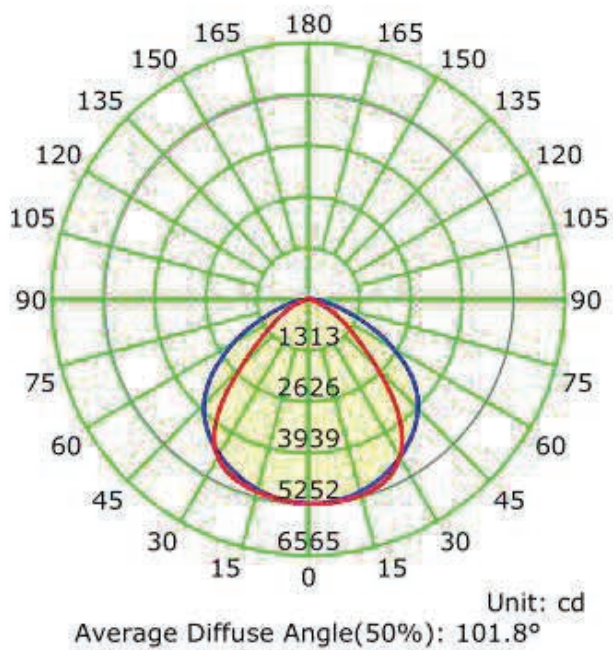
Current: 0.733 A  
Power Factor: 0.995

#### Photometric Results

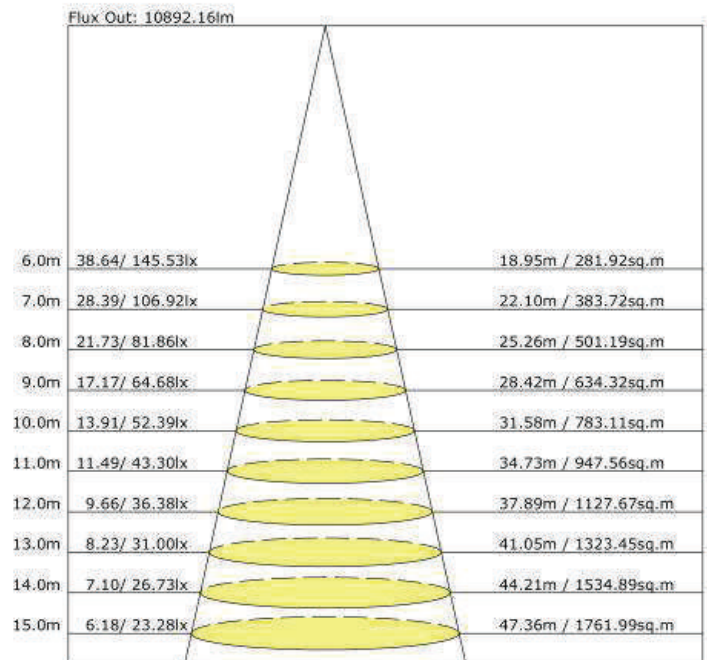
IES Classification: Type I  
Total Rated Lamp Lumens: 12919.8 lm  
Efficiency: 100%  
Upward Ratio: 1%  
Central Intensity: 5238.97 cd  
Pos of Max, Intensity: H67,5 V5

Longitudinal Classification: Very Short  
Measurement Flux: 12919.8 lm  
Downward Ratio: 99%  
Luminaire Efficacy Rating (LER); 147.50  
Max. Intensity: 5252.57 cd

Luminous Intensity Distribution Curve



The Average Illuminance Effective Figure



# ATLAS™

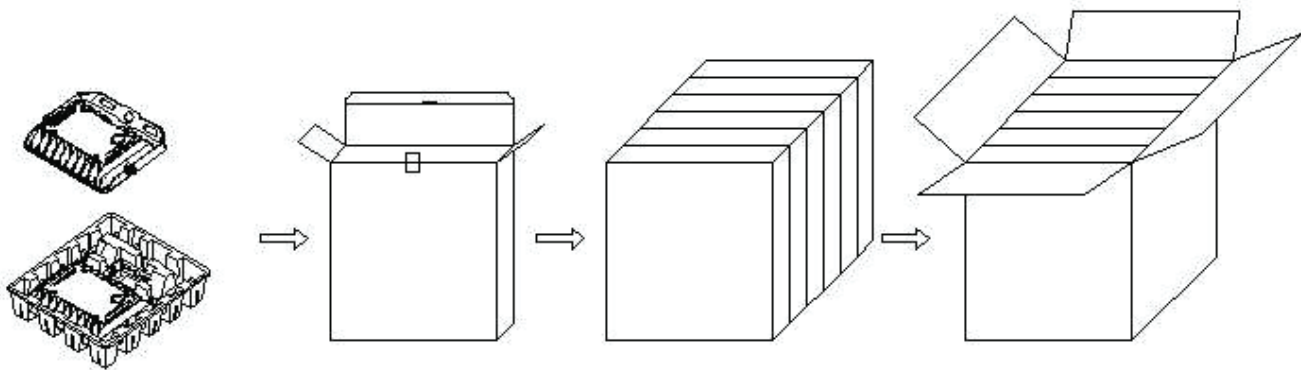
## LED Flood Light



### Packaging

Model	Pcs/Box	Dimensions	Weight	Pallet Qty.	Pallet Weight	Pallet Dimensions
50W U-Bracket Mount	1	13" X 11" X 3"	4 LBS			
50W Yoke Mount	1	13" X 11" X 3"	4 LBS			
50W Knuckle Mount	1	13" X 11" X 3"	4 LBS			
90W U-Bracket Mount	1	14" X 13" X 3"	6 LBS			
90W Yoke Mount	1	14" X 13" X 3"	7 LBS			
90W Knuckle Mount	1	14" X 13" X 3"	6 LBS			

Tolerance of Carton Size:  $\pm 0.590551$  in, Tolerance of Weight:  $\pm 10\%$



**U-Bracket Mount**



**Optional Yoke Mount**  
SKU: 151234



**Optional Knuckle Mount**  
SKU: 151387







# ATLAS™

## LED Flood Light

50 Watt



LED FLOOD LIGHT

# ATLAS™

LED Flood Light



90 Watt



LED FLOOD LIGHT



# ATLAS™

## LED Flood Light

### User Notice

- Please turn off the power before installing or changing assembly parts.
- The input voltage and lamps should be matching. Before connecting the power line, please make sure the wiring section is insulated.
- Only professionals should install and disassemble the lamps.

### Trouble Shooting

- Flickering light - Turn off the power and turn on again in 3 minutes. If the same phenomena occurs, then call Support.
- Not working - Please check all power connections.

### Warranty

5 Years Warranty

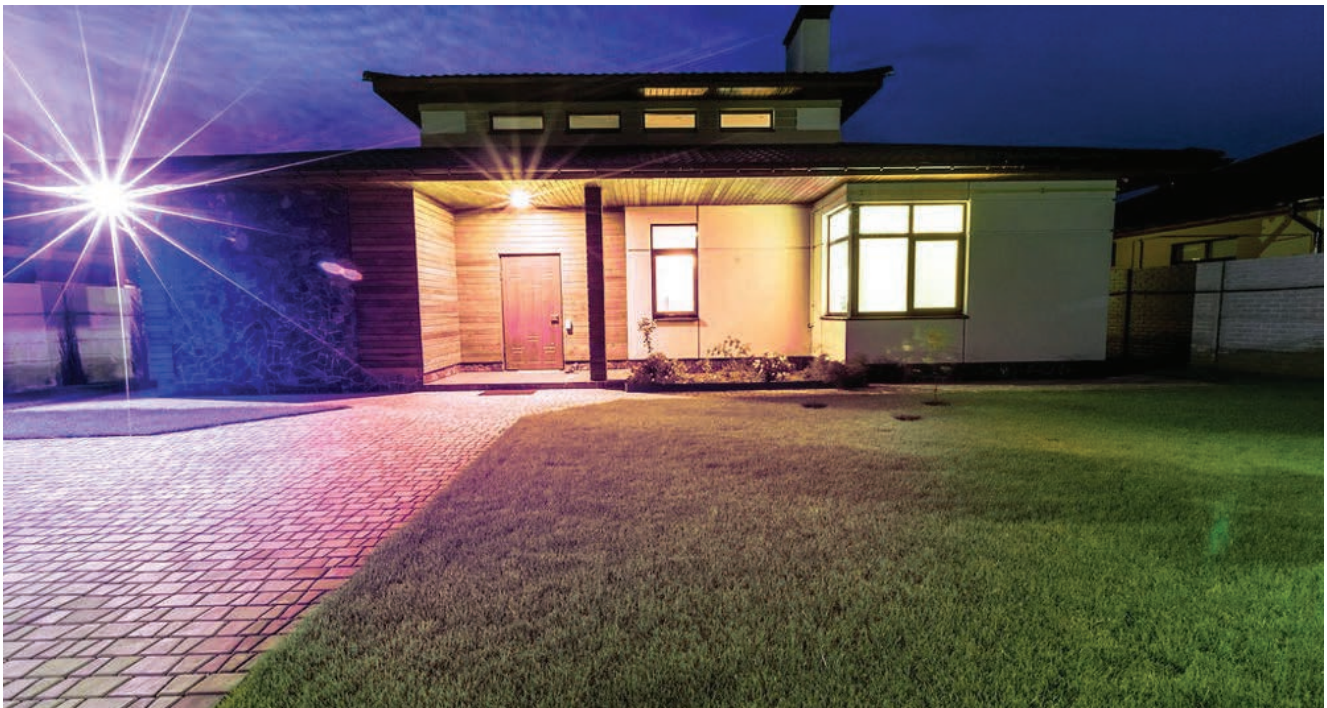


# ATLAS™

LED Flood Light



## Application



LED FLOOD LIGHT